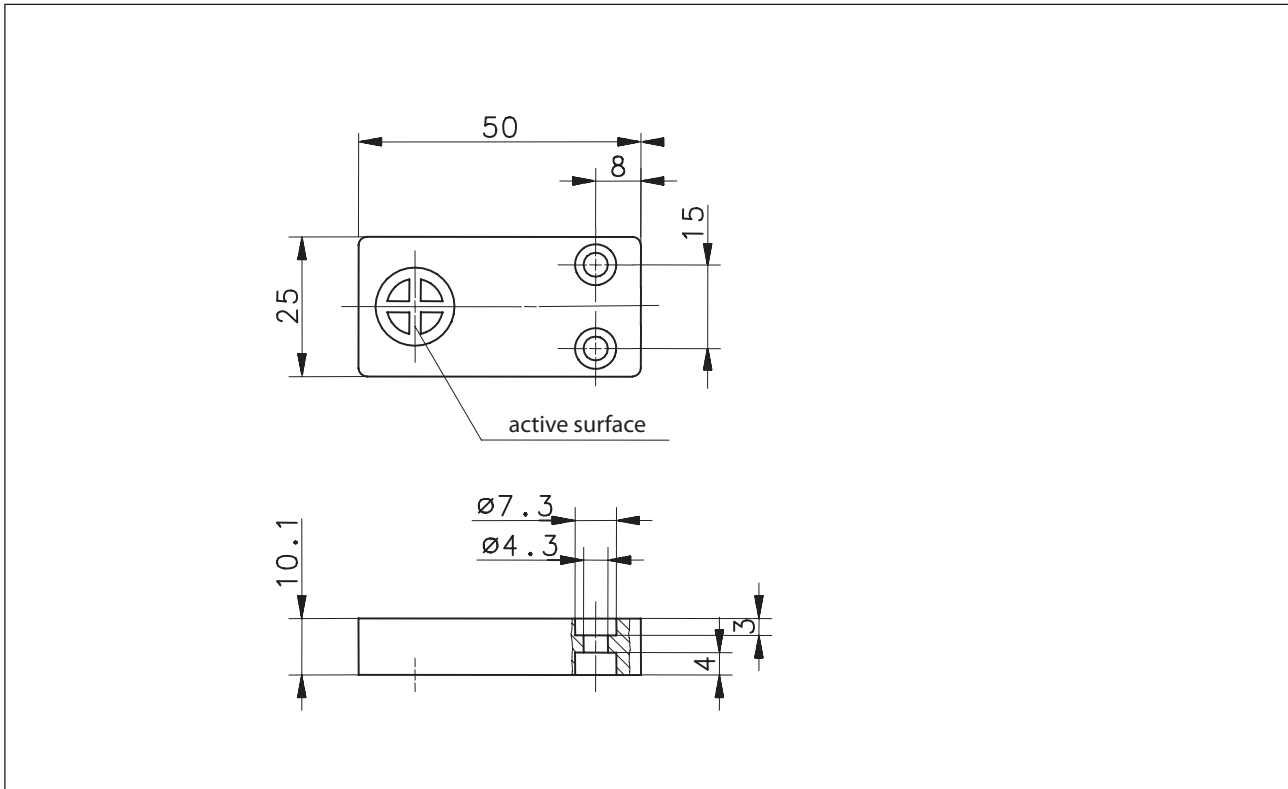


Magnetic Switch

Coded switching magnet

Description **TK-50-CD/2**

Article number **6402050086**



Mechanical data

Enclosure	PBT, black
Mounting	2 holes $\varnothing 4,3$ (for M4 screws)
Magnet	Neodym-iron-boron (NdFeB)
Ambient air temperature	-25 °C ... +70 °C
Protection type	IP67
Application	Magnetic limit switch type MAK-50
Installation position	operator definable
Pollution degree	3 acc. to EN 60947-1

Approvals



UL Listed, Ind. Cont. Eq.